

PARTS LIST - 2 PERSON ASSEMBLY:-

A	LEG SECTION	3 no.
B	SEAT SECTION	1 no.
C	70mm S/STEEL SCREWS	12 no.

TOOLS:-

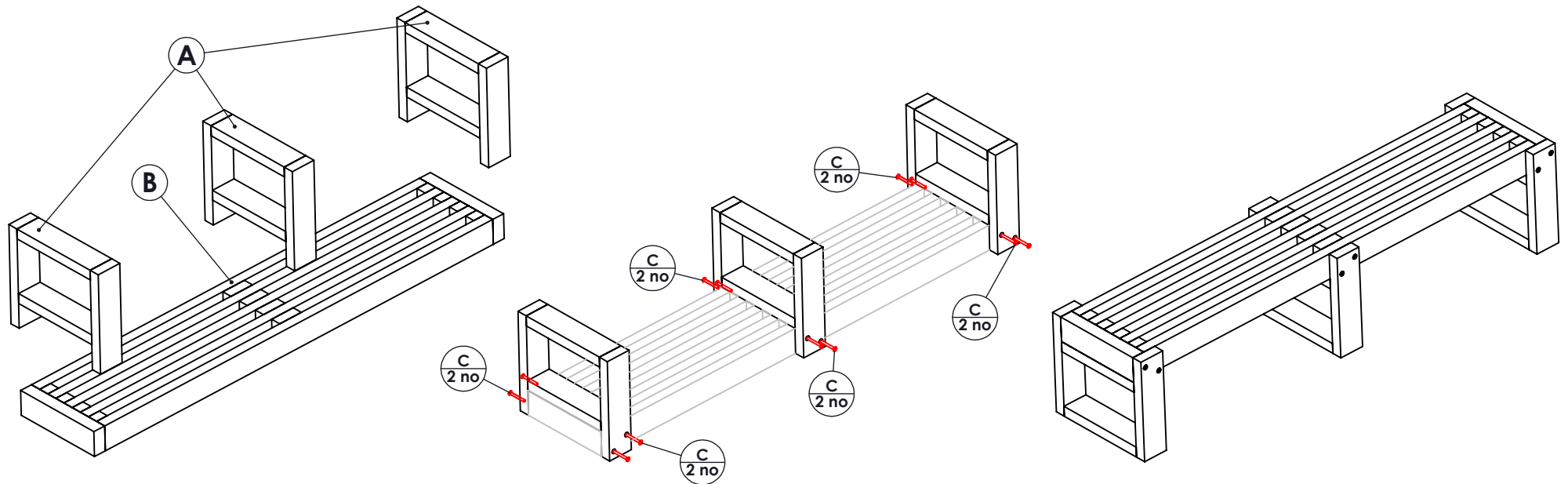
POWER DRILL WITH PHILIPS-HEAD BIT
MEASURING TAPE & STRAIGHT EDGE

IMPORTANT:-

Ensure that you are familiar with these assembly instructions prior to commencing assembly.

We will not accept any claims resulting from products that have been wrongly assembled.

Employ safe lifting procedures when handling components.



LAY SEAT SECTION ON A FLAT SURFACE 'TOP' DOWN
(SEE LABEL ON ITEM)

PLACE LEG SECTIONS SQUARE AND FLUSH WITH BOTH
LEFT AND RIGHT HAND SIDES OF SEAT SECTION. FIX
EACH LEG SECTION WITH 4 x 70mm S/STEEL SCREWS

LINE UP CENTRE LEG WITH CENTRE TIES OF
SEAT SECTION, ENSURE IT IS FLUSH AND SQUARE.
FIX WITH 4 x 70mm S/STEEL SCREWS

THIS COMPLETES THE BENCH ASSEMBLY

Please take care to install your furniture on level ground to ensure it looks its best for decades to come.
Please note that all dimensions are subject to a tolerance of + or - 3%

Please contact us if you need any further help or information.

SKIPTON BENCH**Assembly Guide**

Unit 8F, Top Land Country Business Park
Cragg Road, Mytholmroyd, Hebden Bridge,
West Yorkshire, HX7 5RW
Phone: 01422 419 555
Mail: info@britishrecycledplastic.co.uk

BRITISH
RECYCLED
PLASTIC 